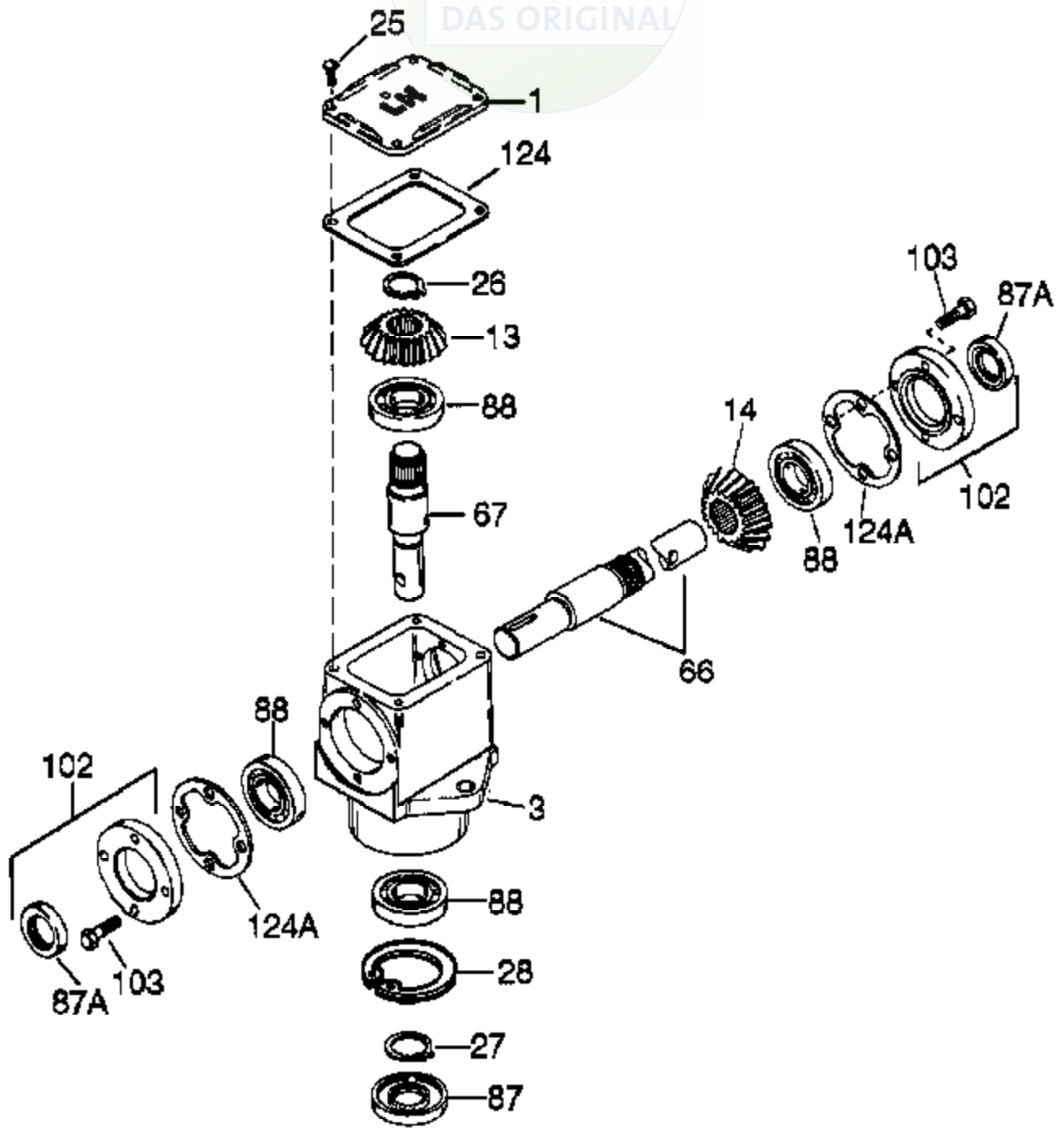
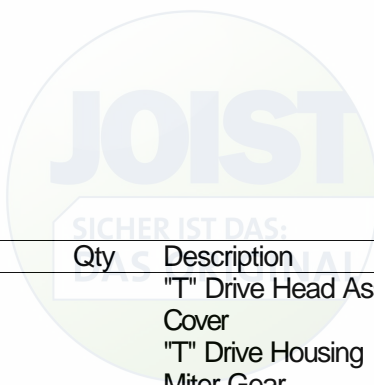


JOIST

SICHER IST DAS:
DAS ORIGINAL





| Ref # | Part Number | Qty | Description |
|-------|-------------|-----|---|
| | 794093 | | "T" Drive Head Ass'y (Incl. 1 thru 12 4A) |
| 1 | 772035 | | Cover |
| 3 | 770047A | | "T" Drive Housing |
| 13 | 778046 | | Miter Gear |
| 14 | 778069 | | Miter Gear |
| 25 | 792025 | | Screw, 10-24 x 1/2" |
| 26 | 788018 | | Snap Ring |
| 27 | 788019 | | Snap Ring |
| 28 | 792119 | | Snap Ring |
| 66 | 776127 | | Input Shaft (7-1/4" long) |
| 67 | 776066 | | Output Shaft (4-19/32" long) |
| 87A | 788031 | | Oil Seal |
| 87 | 788029 | | Oil Seal |
| 88 | 780034 | | Ball Bearing |
| 102 | 786029 | | Retainer Cap & Seal (Incl. 87A & 103) |
| 103 | 792026 | | Screw, 1/4-20 x 7/8" |
| 124A | 788030B | | Cap Gasket |
| 124 | 788028 | | Cover Gasket |

RAD-2328-PS1 Page 2 of 2
Peerless Oil Seal